



WUF 620 CF



**WIRATAMA ULTRASONIC CLAMP-ON
CATALOG**

Product Introduction

WUF 620 CF series clamp-on transit-time ultrasonic flow meter utilizes transit-time principle. The transducer is mounted outside surface of the pipe without requirements of flow stop or pipe cutting. It's very simple, convenient for installation, calibration and maintenance. Different sizes of transducers satisfy different measuring demand. Plus, select thermal energy measuring function to achieve completely energy analysis. It is widely applied in processing monitoring, water balance test, district heating balance test, energy efficiency monitoring as easy installation and simple operation advantages.

Features

- 4 Lines Display Velocity, Flow Rate, Volume And Meter Status
- Clamp-on Mounted, Unnecessary Pipe Cutting Or Processing Interruption
- Acceptable Fluid Temperature Range -40°(~260°(
- Built-in Data Storage Is Optional
- Selecting Temperature Sensor PT1000 To Achieve
- Thermal Energy Measurement Function
- Suitable For DN20-DN6000 Flow Measurement By
- Selecting Different Size Transducers
- Bi-dire



Performance Index

Measuring Principle	Transit-time
Velocity	0.01 - 12 m/s, Bi-directional Measurement
Resolution	0.25mm/s
Repeatability	0.1%
Accuracy	±1.0% of Reading
Response Time	0.5s
Sensitivity	0.003m/s
Damping	0-99s(settable by user)
Suitable Fluid	Clean or tiny amounts of solids, air bubbles liquid , Turbidity<10000 ppm



Product Introduction

Power Supply	AC: 85-265V DC:12- 36V/500mA
Installation	Wall Mounted
Protection Class	IP66
Operating Temperature	-40°C to +75°C
Enclosure Material	Fiberglass
Display	4X8 Chinese Or 4X16 English,Backlit
Measuring Unit	meter,ft,m ³ ,liter,ft ³ ,gallon,barrel etc.
Communication Output	4~20mA, OCT, Relay, RS485 (Modbus-RUT), Data Logger ,GPRS
Energy Unit	Unit : GJ,Opt: KWh
Security	Keypad Lockout, System Lockout
Size	244*196*114mm
Weight	2.4kg

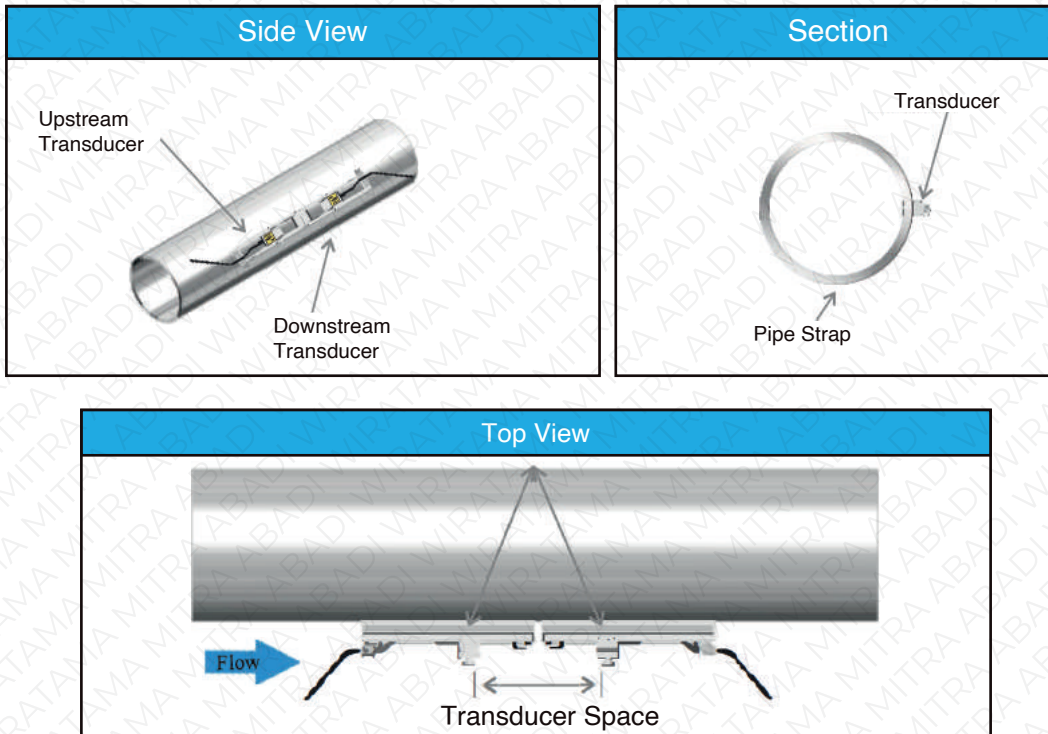
Transducer

Protection Class	IP67
Fluid Temperature	Std. transducer : -40°C~85°C
Pipe Size	20mm~6000mm
Transducer Size	S 20mm~50mm
	M 40mm~1000mm
	L 1000mm~6000mm
Transducer Material	Std. Aluminum alloy, High Temp.(PEEK)
Cable Length	Std. 5m (customized)

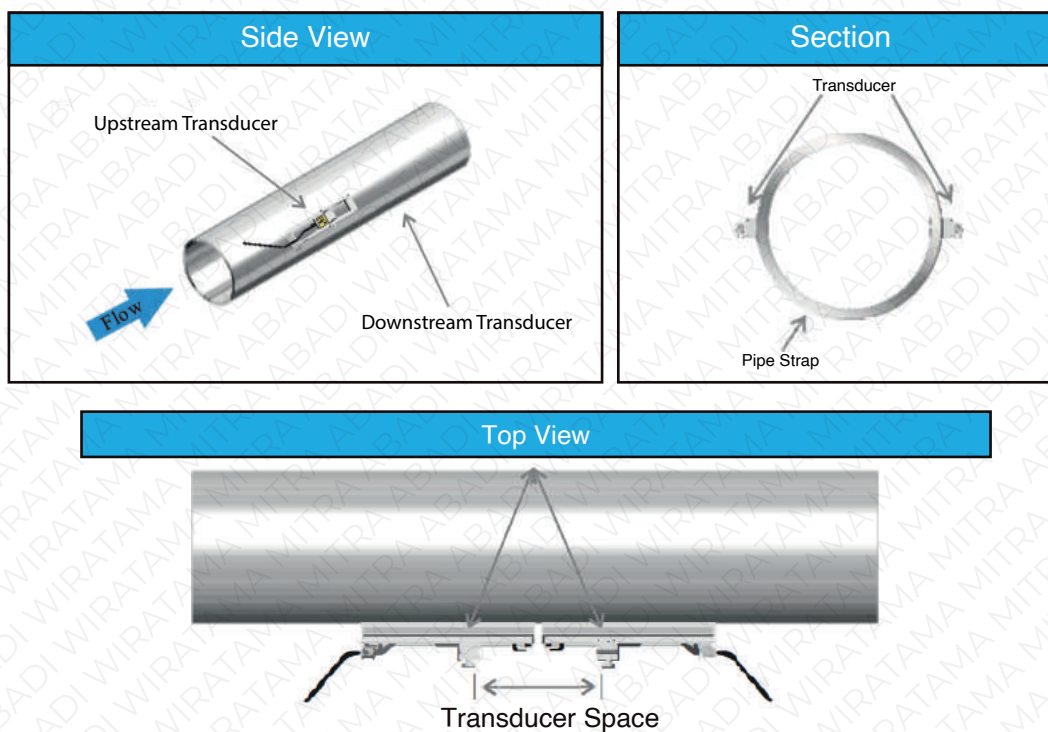


Installation

V method measuring pipe size : 50mm-400mm



Z method measuring pipe size : 25mm-1200mm



Straight length of upstream piping

Straight length of downstream piping

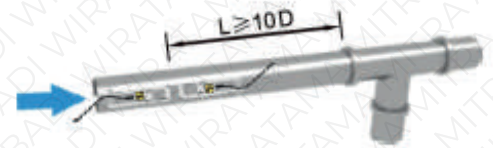
When selecting a measurement site, it is important to select an area where the fluid flow profile is fully developed to guarantee a highly accurate measurement. Use the following guidelines to select a proper installation site:

90° Bend



Tee

Choose a section of pipe that is always full of liquid, such as a vertical pipe with flow in the upward direction or a full horizontal pipe.



Diffuser

Ensure enough straight pipe length at least equal to the figure shown below for the upstream and downstream transducers installation.



Reduce

Ensure that the pipe surface temperature at the measuring point is within the transducer temperature limits.

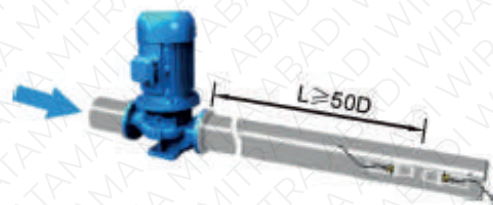
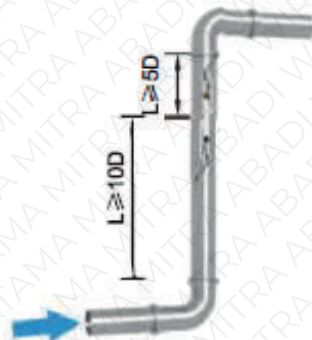


Valve

Consider the inside condition of the pipe carefully. If possible, select a section of pipe where the inside is free of excessive corrosion or scaling.



Vertical



Transmitter Cable Connection



Note :

- Temperature inlet and Outlet (T1 & T2) Sensor Connection
- Output 4 - 20mA
- Output Pulse
- Output Relay
- Communication Modbus
- Power DC 24V
- Power AC up to 265 V

Dimension

